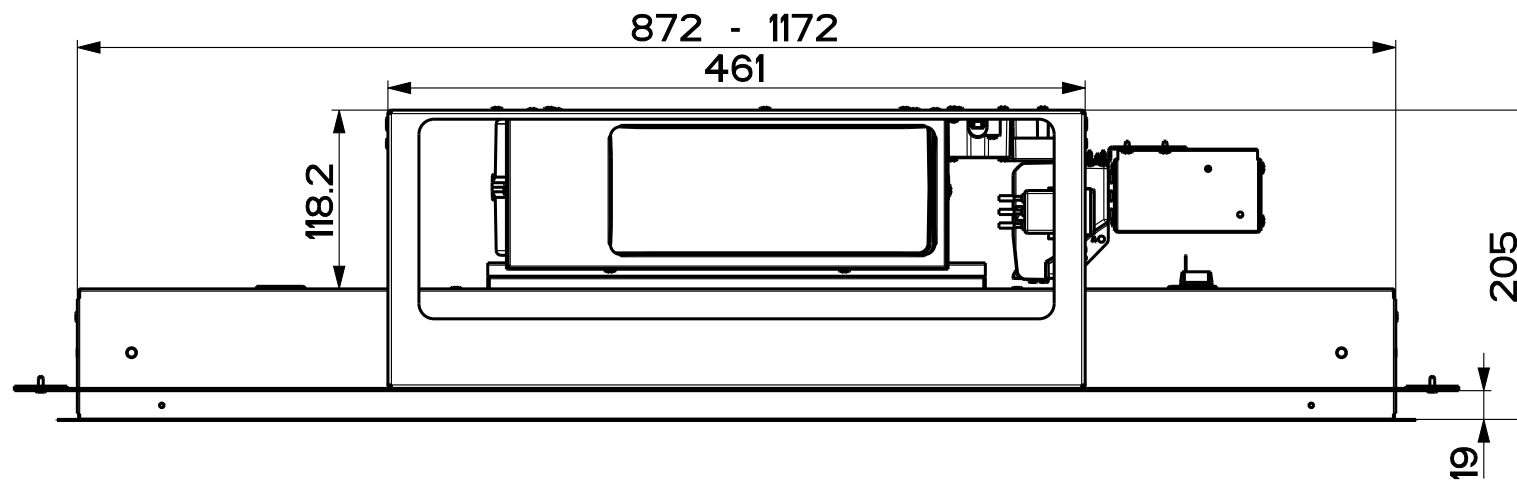
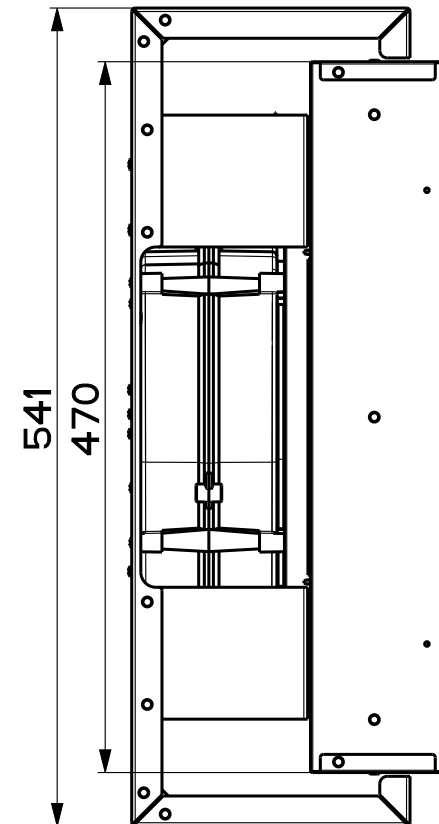
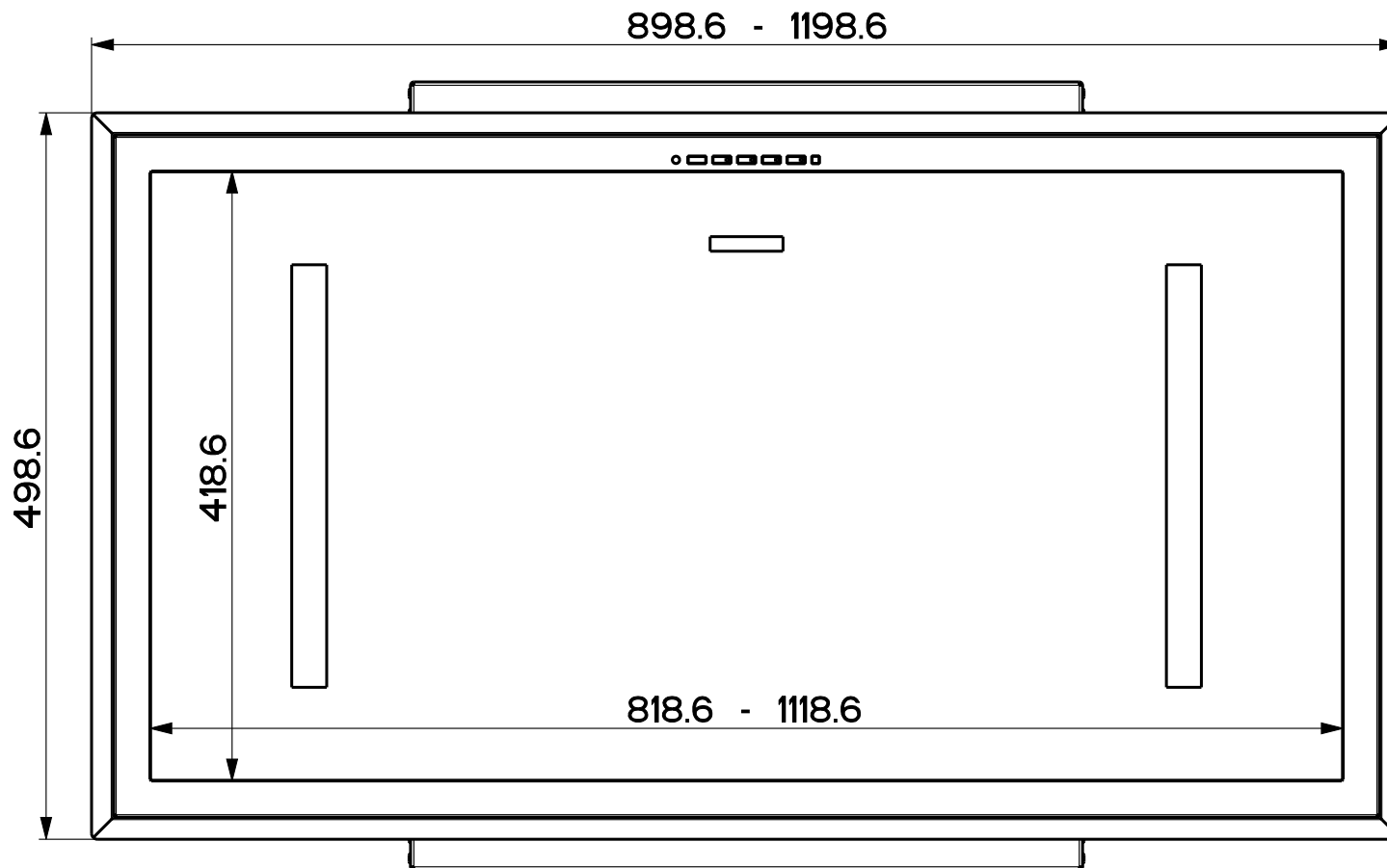



Created by Bellucci, Daniele	
Denomination DIM. DRAW. FLAT CEILING EMC 2 LED BAR L300	
Lang EN	Sheet 1/2
Modif.by	
Approved by Bellucci, Daniele	
Approval date 27-Jun-2022	
Doc. status Released	
Drawing N. 59A_1134	Rev 01



Created by Bellucci, Daniele	
Denomination DIM. DRAW. FLAT CEILING EMC 2 LED BAR L300	
Lang EN 	Sheet 2/2
Modif.by	
Approved by Bellucci, Daniele	
Approval date 27-Jun-2022	
Doc. status Released	
Drawing N. 59A_1134	Rev 01